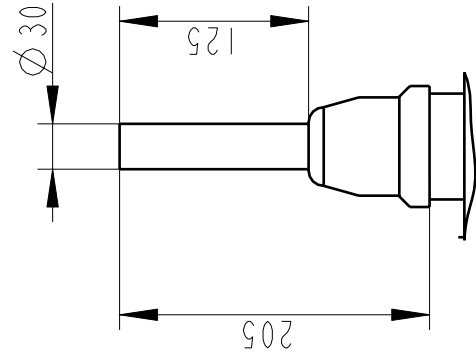
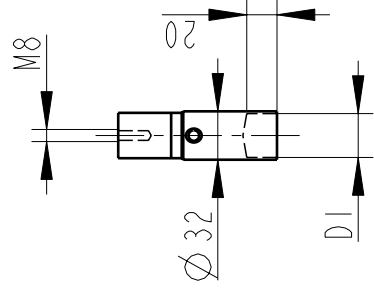


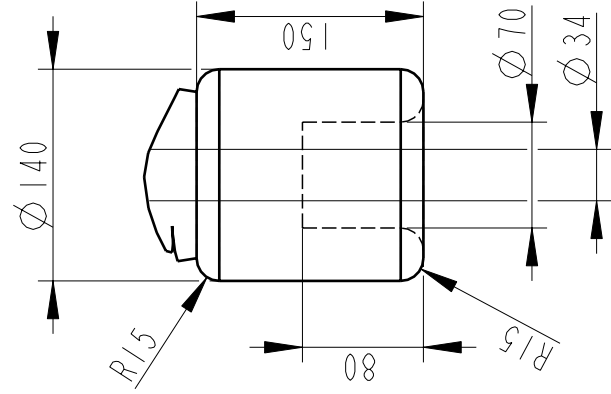
OUTER TERMINAL



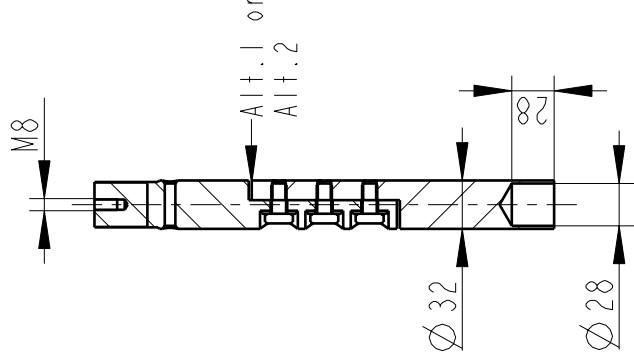
INNER TERMINAL FOR STRANDED CABLE



END SHIELD



SOLID ROD CONNECTOR



The solid rod can be divided either:
 Alt.1: 20mm below the bushing flange or
 Alt.2: 20mm below the upper end of the bottom porcelain

Bushing Data:

| | | |
|--------------------------------|----------|----|
| Rated Voltage | 170 | kV |
| Phase to Ground Voltage | 145 | kV |
| Dry Lightning Impulse 1,2/50µs | 650 | kV |
| Wet power frequency AC | 275 | kV |
| Routine test Imin dry 50Hz | 300 | kV |
| Rated Current | 1250 | A |
| Creepage Distance | 4080±110 | mm |
| Creepage Distance Protected | 1620 | mm |
| Mass | 116 | kg |

Ordering Data:

BUSHING COLOUR AIR INSULATOR

LF123073-M BROWN

-N LIGHT GREY

OUTER TERMINAL

LF 170 002-B Cu, Ø 30, L=125

LF 170 001-B Al, Ø 30, L=125

OTHER TYPES ON REQUEST

INNER TERMINAL FOR STRANDED CABLE

For brazing Conductor area DI

LF 170 011-T up to 285mm² Ø 29

LF 170 011-V Undrilled with pilot hole Ø 5

SOLID ROD CONNECTOR

LF 170 052 -F for Alt.1

N/A for Alt.2

| ABB Components | | Ludvika, Sweden | |
|----------------|----------|-----------------|------------|
| No. | U/L/S/AC | kV Ir | A 50/60 Hz |
| M | kg L | mm V | |
| C1 | pf | Tan δ | r |
| C2 | pf | Tan δ | r |

| | |
|---------------------------|------------------------|
| Based on | Reg. No. |
| Prepared | Responsible department |
| Lövnord | COM/BK |
| Approved | Take over department |
| Johansson | |
| Design engineering review | Database |
| Hedlund | |

| | | | |
|-------------------------|--|-------------|--|
| Title | | Language | |
| GOB 650-1250-0 | | I(1) | |
| WITHOUT OIL LEVEL GAUGE | | Page | |
| LONG END SHIELD | | 1(1) | |
| Document No. | | 2751369-158 | |

ABB ABB Components